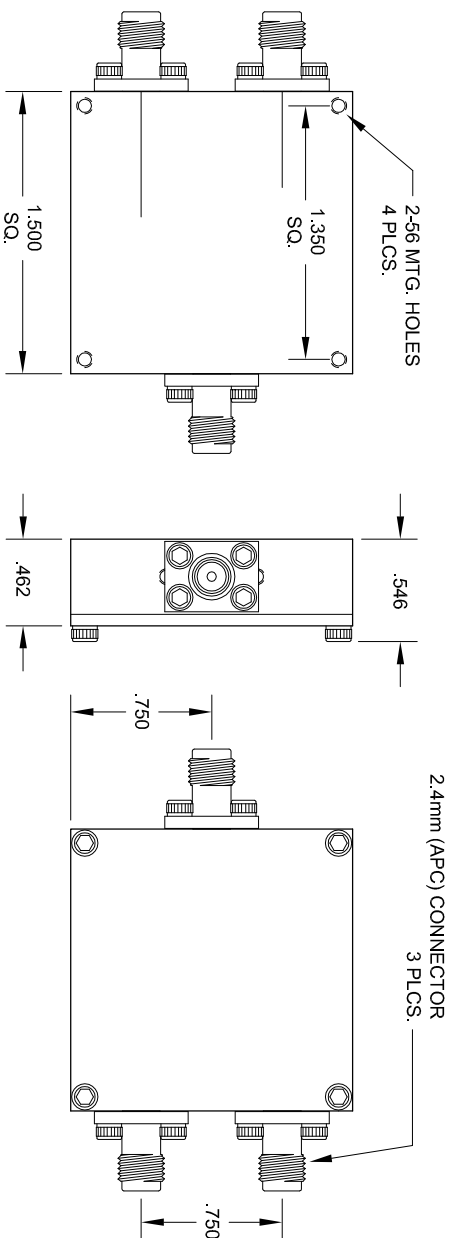


**CONFIDENTIAL**

THIS DOCUMENT, OR DATA DISCLOSED HEREIN, IS NOT TO BE REPRODUCED, USED, OR DISCLOSED, IN WHOLE OR PART, TO ANYONE WITHOUT THE DIRECT PERMISSION OF HYPERLABS, INC.

REVISIONS				RELEASED BY
ECN #	REV	DESCRIPTION	DATE	
0313	0	ORIGINAL	12/02/14	AA



SCALE: 1:1 P SCALE:1

TOLERANCES UNLESS OTHERWISE NOTED:

INCHES  
 X.X ± 0.1  
 X.XX ± 0.01  
 X.XXX ± 0.005  
 X.XXXX ± 0.0005  
 X° ± 1°

MATERIAL: HARD GOLD PLATED ALUMINUM HOUSING

INITIAL	DATE
DDP	08/07/14

**HLL HYPERLABS, Inc.**  
 13830 SW Rawhide Court, Beaverton OR 97008

DRAWN BY	DESIGN ENG	MATERIALS	PROD ENG	QUALITY

TITLE: HL9405, 500GHz RF BALUN - HEAVY DUTY  
 PART #: HL9405-41  
 DRAWING #: 400029

REV:	SIZE:
0	A

PAGE 1 OF 1

**NOTES:**

1. DIMENSIONS IN INCHES UNLESS OTHERWISE NOTED