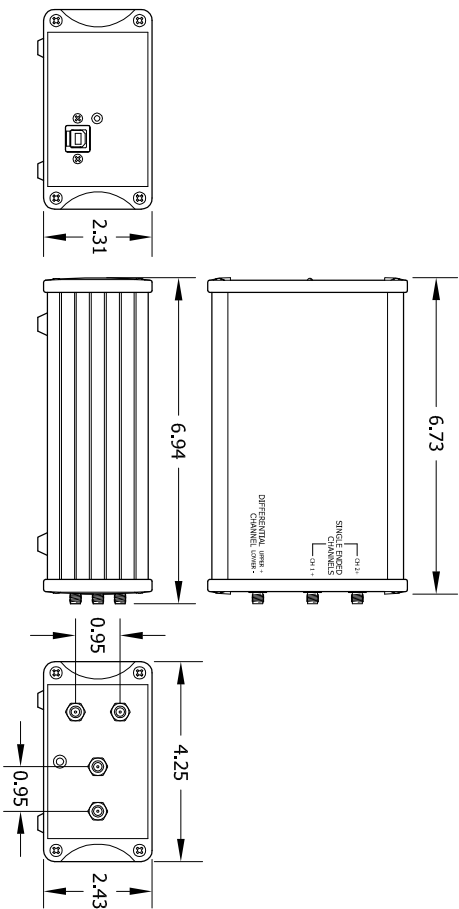


CONFIDENTIAL

THIS DOCUMENT OR DATA DISCLOSED HEREIN IS NOT TO BE REPRODUCED, USED, OR DISCLOSED, IN WHOLE OR PART, TO ANYONE WITHOUT THE DIRECT PERMISSION OF HYPERLABS, INC.

REVISIONS			RELEASED BY
ECN #	REV	DESCRIPTION	DATE
0206	0	ORIGINAL	12/27/13
			AA



SCALE: 1:4 | P SCALE: .25 MATERIAL: AS REFERENCED

TOLERANCES UNLESS OTHERWISE NOTED:
 INCHES
 X.X ± 0.1
 XXX ± 0.01
 XXXX ± 0.005
 XXXX ± 0.0005
 X° ± 1°

DRAWN BY: DDP
 DESIGN ENG
 MATERIALS
 PROD ENG
 QUALITY



HYPERLABS, Inc.
 13830 SW Rawhide Court, Beaverton OR 97008

TITLE: HL3204-20 CONTROLLED IMPEDANCE ANALYZER
 PART #: HL3204-20
 DRAWING #: 400018
 REV: 0
 SIZE: A
 PAGE 1 OF 1

NOTES:
 1. DIMENSIONS IN INCHES UNLESS OTHERWISE NOTED