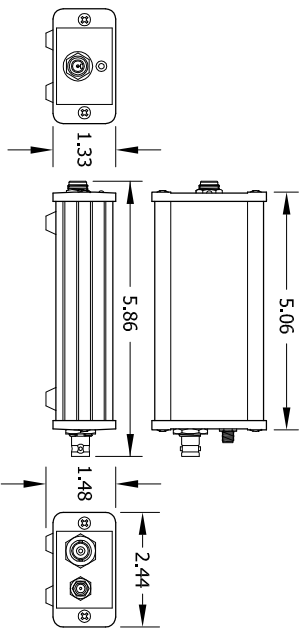



CONFIDENTIAL

THIS DOCUMENT, OR DATA DISCLOSED HEREIN, IS NOT TO BE REPRODUCED, USED, OR DISCLOSED, IN WHOLE OR PART, TO ANYONE WITHOUT THE DIRECT PERMISSION OF HYPERLABS, INC.

REVISIONS				
ECN #	REV	DESCRIPTION	DATE	RELEASED BY
0299	0	ORIGINAL	10/16/14	AA
0423	1	REVISED	03/25/16	AA



SCALE: 1:4	P SCALE: .25	MATERIAL: NA
TOLERANCES UNLESS OTHERWISE NOTED:		
INCHES	X.X ± 0.1	
	X.XX ± 0.01	
	X.XXXX ± 0.005	
	X° ± 1°	
DRAWN BY	DDP	DATE 10/16/14
DESIGN ENG		
MATERIALS		
PROD ENG		
QUALITY		
 HYPERLABS, Inc. 13830 SW Rawhide Court, Beaverton OR 97008		
TITLE: HL9101 / 9201 IMPULSE GENERATORS		
PART #: HL9101-20 OR HL9201-20		REV: 1
DRAWING #: 400027		SIZE: A
PAGE 1		OF 1

NOTES:
1. DIMENSIONS IN INCHES UNLESS OTHERWISE NOTED